

## ▶▶ GROUND ELECTRODES: GROUNDING RODS WITH COUPLING TAB

Rod electrode of galvanized steel or stainless steel for the construction of grounding systems.

### ▶ applications

Grounding electrode valid for any type of grounding (lightning rod, housing, antennas, machinery, instrumentation, earth etc ...)

### ▶ characteristics & benefits

- Highly durable and resistant to corrosion.
- Easy connection electrode.
- Easy installation.

### ▶ installation

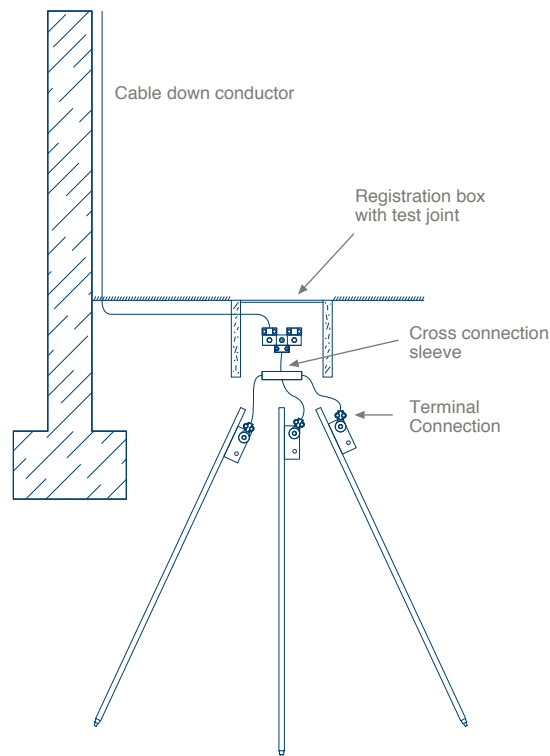
Insert the grounding rod vertically into the ground, arranged in line or triangle and spaced equidistantly.

Connect the grounding rod together via a thick enough cable. In the case of an external lightning protection system, the cable connection to the ground must equal the material section of down conductor arrester.

To improve soil conductivity, enhancer compounds can be added such as QUIBACSOL, in liquid or powder form.

Install a registration system that allows for future revisions (registration box) with a system that allows the connection and disconnection of the grounding rods.

## ► Installation diagram



## ► standards & tests

· IEC 62305 · N-FC 17.102:2011 · UNE 21186:2011 · REBT · IEC 62561/2

## ► technical specifications

Description	Ref.	Mat.	L (mm)	A (mm)	B (mm)	D1 (mm)	Weight (g)
I: 1500mm Ø18 mm galv. steel grounding rod	252020	galv. steel	1500	112	50	18	3270
I: 1500mm Ø18 mm stainless steel grounding rod	252030	stainless steel	1500	112	50	18	3220
I: 2000mm Ø18 mm galv. steel grounding rod	252053	galv. steel	2000	112	50	18	4270
I: 2000mm Ø18 mm stainless steel grounding rod	252054	stainless steel	2000	112	50	18	4220



### DENA DESARROLLOS SL

Duero 5 | 08223 Terrassa | Barcelona | Spain  
 T 937 360 305 | T (+34) 937 360 314  
 F 937 360 312  
 central@ingesco.com

**GROUND ELECTRODES:  
 GROUNDING RODS  
 WITH COUPLING TAB**